

# Pella® 150 Series Vinyl Windows



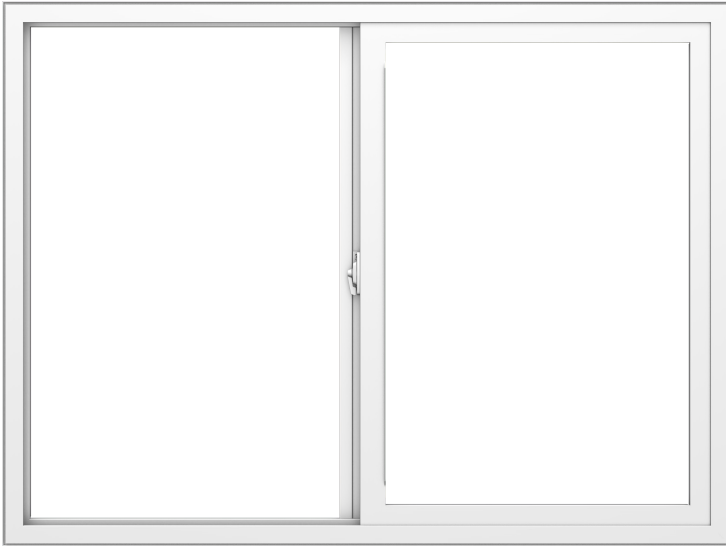
Available at



Sliding Window (West Region) | PSE Simplified Package

## Quality vinyl windows and patio doors, backed by Pella.

Pella® 150 Series vinyl windows and patio doors feature long-lasting, quality vinyl frames. They are energy efficient and tested for excellent weathering, durability and color retention.



### SLIDING WINDOW PACKAGE:

- Dual-pane Low-E insulating glass
- Fade-resistant vinyl formula for excellent weathering, durability and color retention
- All-metal cam-action locks anchored to the sash
- Roller system provides smooth operation and long-term performance
- Quick installation frame design helps reduce installation time

## \$443.00

up to and including 101 united inches (U.I.)

+ Add \$2.45 per U.I. for each U.I. over 101

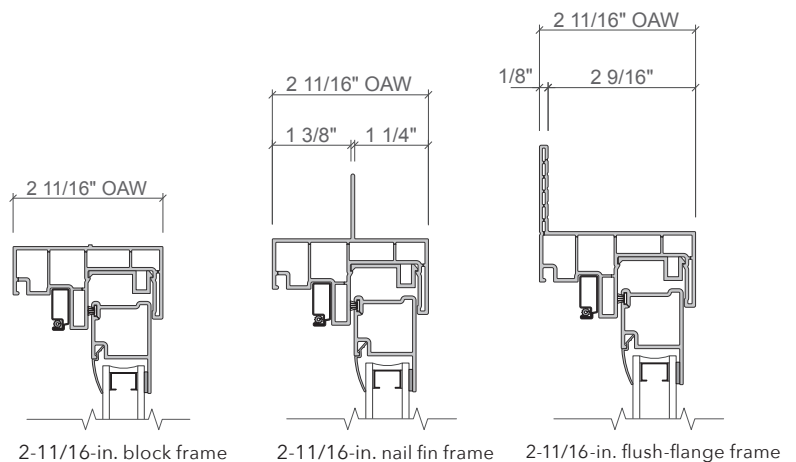
Window width + window height = U.I. (always round up).  
 Example: A 35.25-in. x 71.5-in. window is equivalent to 108 U.I. This is 7 U.I. over 101. \$443.00 + (7 x \$2.45) = \$460.15

### FRAME SIZE

	Minimum	Maximum
Width	21.5-in.	73.5-in.
Height	9-in.	60-in.

### FRAME TYPES

- Block and nail fin frames can be used in new construction, full frame replacement and renovation applications, and pocket replacement construction applications.
- Nail fin frames allow for easy installation and integration with the water resistive barrier.
- Flush-flange frames are typically used in replacement installation applications, used to install against existing stucco facade, covering the existing window frame and creating a simple method for water management and an aesthetically appealing exterior look.
- Frames include interior and exterior accessory grooves for added convenience and versatility.
- Custom sizes are available in 1/8-in. increments for a precise fit.



# Pella® 150 Series Vinyl Windows

Sliding Window (West Region) | PSE Simplified Package

	Optional Upgrades in Gray	≤101 U.I.	>101 U.I.	Costs
<b>FRAME TYPE</b>	<input type="checkbox"/> 2-11/16-in. block frame	-	-	-
	<input type="checkbox"/> 2-11/16-in. nail fin	-\$24	-\$24	
	<input type="checkbox"/> 2-11/16-in. flush-flange frame	\$19	\$19	
<b>INTERIOR &amp; EXTERIOR FINISH</b>	White solid-color frame	-	-	-
	Solid-color frame <input type="checkbox"/> Almond <input type="checkbox"/> Fossil	\$18	\$18	
<b>GLASS<sup>1</sup></b> (R20 - R35) <input type="checkbox"/> High-altitude glass (where applicable)	Annealed			
	<input type="checkbox"/> Advanced Low-E insulating dual-pane glass	-	-	-
	<input type="checkbox"/> NaturalSun Low-E insulating dual-pane glass			
	SunDefense™ Low-E insulating dual-pane glass	\$20	\$26	
	Tempered glass	\$105	\$138	
<b>GRILLES</b>	No grilles	-	-	-
	<input type="checkbox"/> 3/4-in. contour color-matched Traditional grilles-between-the-glass	\$27	\$39	
	<input type="checkbox"/> 5/8-in. flat color-matched grilles-between-the-glass	\$27	\$39	
<b>HARDWARE</b>	Cam-action lock (color-matched to interior)	-	-	-
<b>SCREEN<sup>2</sup></b>	Conventional half-screen	-	-	-

Options Total  + Base Price  + Installation Price  = Grand Total

<sup>1</sup> Insulating glass available with or without argon on select products.

<sup>2</sup> Warning: Screen will not stop child or pet from falling out of window or door. Keep child or pet away from open window or door.