

Pella® 250 Series Vinyl Windows



Available at

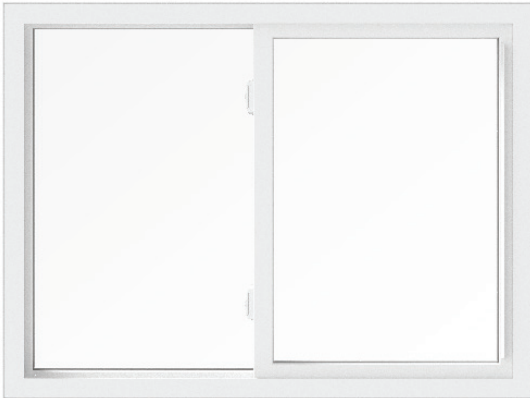


PSE EXCLUSIVE

Sliding Window (East Region) | PSE Simplified Package

Strength and security for enhanced peace of mind.

Offering stronger frames than ordinary vinyl¹ and double-strength glass for increased durability and security.



SLIDING WINDOW PACKAGE:

- ENERGY STAR® options available¹
- Foam-insulated sash and frame
- Weather-repel system with triple weatherstripping
- Exclusive Comfort Lock sash lock design
- Double-strength glass
- InView™ high-transparency screen²
- White 3-1/4-in. block frame (includes head expander and sill adapter)

\$387.00

up to and including 101 united inches (U.I.)

+ Add \$5.72 per U.I. for each U.I. over 101

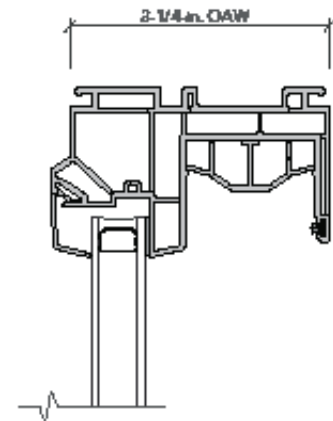
Window width + window height = U.I. (always round up). Example: A 35.25-in. x 71.5-in. window is equivalent to 108 U.I. This is 7 U.I. over 101. \$387.00 + (7 x \$5.72) = \$427.04

FRAME SIZE

	Minimum	Maximum
Width	21.5-in.	96-in.
Height	11.5-in.	62-in.

3-1/4-IN. BLOCK FRAME TYPE

- 3-1/4-in. block frame can be used in replacement of old aluminum or steel frame windows or pocket replacement in wood frames. They may also be used in new construction block or concrete walls.
- The block frames include interior and exterior accessory grooves.
- Custom sizes are available in 1/8-in. increments for a precise fit.



¹ Based on the force required to bend a window frame profile.

² Some Pella products may not meet ENERGY STAR® certification in Canada. For more information, contact your local Pella sales representative or go to nrcan.gc.ca/energy/products/categories/fenestration/13739.

³ Warning: Screen will not stop child or pet from falling out of window or door. Keep child or pet away from open window or door.

Pella® 250 Series Vinyl Windows

PSE EXCLUSIVE Sliding Window (East Region) | PSE Simplified Package

	Optional Upgrades in Gray	≤101 U.I.	>101 U.I.	Costs
INTERIOR & EXTERIOR FINISH	White solid-color frame	-	-	-
	Solid-color frame <input type="checkbox"/> Almond <input type="checkbox"/> Fossil	\$18	\$18	
	Dual-color frame (White interior) <input type="checkbox"/> Poplar White <input type="checkbox"/> Hartford Green <input type="checkbox"/> Tan <input type="checkbox"/> Morning Sky Gray <input type="checkbox"/> Fossil <input type="checkbox"/> Brick Red <input type="checkbox"/> Brown <input type="checkbox"/> Black <input type="checkbox"/> Portobello	\$193	\$193	
PERFORMANCE (PG 25 – 50) ¹	Exclusive weather-repel system channels water away from the home with three points of protection – including triple weatherstripping.	-	-	-
	Structural enhancements for better performance in high-wind regions.	\$34	\$34	
GLASS²	<input type="checkbox"/> SunDefense™ Low-E insulating dual-pane glass			
	<input type="checkbox"/> Advanced Low-E insulating dual-pane glass	-	-	-
	<input type="checkbox"/> NaturalSun Low-E insulating dual-pane glass			
	<input type="checkbox"/> High-altitude glass (where applicable)			
	Tempered glass	\$88	\$143	
	Low-E insulating triple-pane glass	\$114	\$185	
GRILLES	No grilles	-	-	-
	3/4-in. contour color-matched Traditional grilles-between-the-glass	\$31	\$31	
HARDWARE	Cam-action lock (color-matched to interior)	-	-	-
	Comfort Lock	-	-	
	<input type="checkbox"/> Color-matched to interior			
	<input type="checkbox"/> Oil-rubbed Bronze			
	<input type="checkbox"/> Satin Nickel			

Options Total + Base Price + Installation Price = Grand Total

¹ Performance ratings will vary depending on the size of the unit. Please contact Pella for additional performance information.

² Optional high-altitude Low-E insulating glass available with or without argon on select products.