

# Pella® Impervia® Sliding Patio Doors

Sliding Patio Door | PSE Simplified Package



Available at



Providing unmatched strength and lasting durability<sup>1</sup>



## SLIDING PATIO DOOR PACKAGE:

- 3-solid-color frame choices
- Foam insulation
- ENERGY STAR® options available<sup>2</sup>
- Color-matched sliding patio door handle
- Standard secure vent lock for added safety and security

## \$3,265.00

72-in. x 80-in. sliding patio door

+ Add \$13.35 per U.I. for each U.I. over 72-in. x 80-in.

Door width + (Door Height x # of Panels) = U.I. (always round up)

Example: A 74-in. x 80-in. is 2 U.I. over a 72-in. x 80-in.

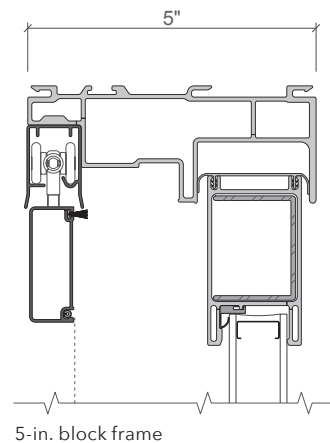
$$\$3,265 + (2 \times \$13.35) = \$3,291.71$$

## FRAME SIZE

	Minimum	Maximum
Width	59.25-in.	95.25-in.
Height	71.5-in.	119.5-in.

## FRAME TYPE

- 5-in. block frame or 5-in. block frame with standard fin attachment method (not shown).
- Block frame with no fin can be used in replacement of old aluminum or steel frame patio doors or pocket replacement into wood frames from the exterior.
- Frame includes an interior and exterior accessory groove.
- Custom sizes are available in 1/4-in. increments for a perfect fit.



<sup>1</sup> Pella's proprietary fiberglass material has displayed superior strength over wood, vinyl, aluminum, wood/plastic composites, and other fiberglass materials used by leading national brands in tensile and 3-point bend tests performed in accordance with ASTM D638 and D790 testing standards.

<sup>2</sup> Some Pella products may not meet ENERGY STAR® guidelines in Canada. For more information, contact your local Pella sales representative or go to [energystar.gc.ca](http://energystar.gc.ca).

# Pella® Impervia® Fiberglass Patio Doors

Sliding Patio Door | PSE Simplified Package

	Optional Upgrades in Grey	72-in. x 80-in.	Costs
<b>FRAME TYPE</b>	5-in. block frame	-	-
	5-in. block frame with standard fin attachment method	\$36	
<b>INTERIOR &amp; EXTERIOR FINISH</b>	Solid-color frame <input type="checkbox"/> White	-	-
	<input type="checkbox"/> Brown		
	<input type="checkbox"/> Black		
<b>PERFORMANCE</b> (PG 35-50) <sup>1</sup>	Foam-insulated frames offer energy-efficient options that will meet or exceed ENERGY STAR® guidelines in all 50 states. <sup>2</sup>	-	-
	Structural enhancements for better performance in high-wind regions.	\$196	
<b>GLASS</b> <sup>3</sup>	<input type="checkbox"/> Advanced Low-E insulating dual-pane tempered glass	-	-
	<input type="checkbox"/> SunDefense™ Low-E with argon insulating dual-pane tempered glass	\$120	
	<input type="checkbox"/> High-altitude tempered glass (where applicable)	\$46	
<b>GRILLES</b>	No grilles	-	-
	3/4" contour color-matched Traditional grilles-between-the-glass	\$207	
<b>HARDWARE</b>	Sliding patio door handle (color-matched)	-	-
	Satin Nickel sliding patio door handle	\$239	
<b>SCREEN</b> <sup>4</sup>	InView™ sliding screen	-	-
<b>BLINDS-BETWEEN-THE-GLASS</b>	<input type="checkbox"/> White	\$998	
	<input type="checkbox"/> Slate Gray	\$1213	
	<input type="checkbox"/> Espresso	\$1213	

Options Total  + Base Price  + Installation Price  = Grand Total

<sup>1</sup> Performance ratings will vary depending on the size of the unit. Please contact Pella for additional performance information.

<sup>2</sup> Some Pella products may not meet ENERGY STAR® guidelines in Canada. For more information, contact your local Pella sales representative or go to [energystar.gc.ca](http://energystar.gc.ca).

<sup>3</sup> Optional high-altitude Low-E insulating glass available with or without argon on select products.

<sup>4</sup> Warning: Screen will not stop child or pet from falling out of window or door. Keep child or pet away from open window or door.