

Pella® Impervia® Fiberglass Windows

Casement Window (Hawaii/Alaska) | PSE Simplified Package



Available at



Providing unmatched strength and lasting durability¹



CASEMENT WINDOW PACKAGE:

- 3 solid-color frame choices
- Foam insulation
- ENERGY STAR® options available²
- Durable three-way corner joints
- Patent-pending Easy-Slide Operator provides long-lasting, smooth operation

\$1,708.00

up to and including 101 united inches (U.I.)

+ Add \$14.15 per U.I. for each U.I. over 101

Window width + window height = U.I. (always round up).

Example: A 35.25-in. x 71.5-in. window is equivalent to 108 U.I.

This is 7 U.I. over 101. \$1,708.00 + (7 x \$14.15) = \$1,807.05

FRAME SIZE

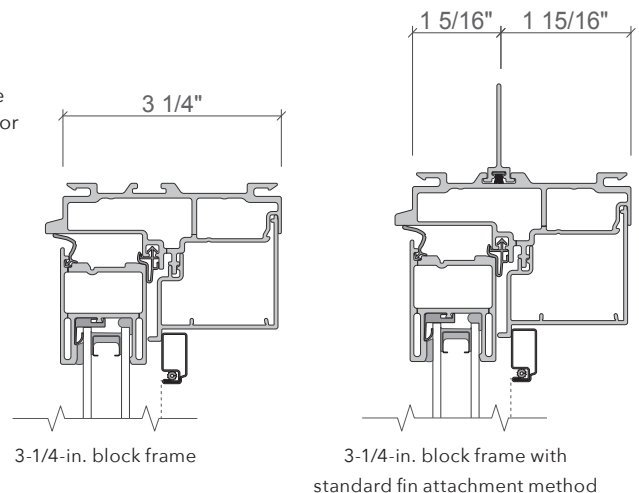
	Minimum	Maximum
Width	17.5-in.	37.5-in.
Height	20-in.	79.5-in.

ADDITIONAL BASE PRICE POINTS

United inches	≤ 60	≤ 70	≤ 80	≤ 90
Base price DH	\$1,128	\$1,269	\$1,411	\$1,552
U.I. factor DH	\$14.15			

FRAME TYPE

- 3-1/4 block frame or block frame with standard fin attachment method.
- 3-1/4-in. block frame with no fin can be used in new construction block or concrete walls. It may also be used in replacement of old aluminum or steel frame windows or pocket replacement into wood frames from the exterior.
- Frames with nail fin can be used in new construction and allow for an easy installation.
- Frame includes an interior and exterior accessory groove.
- Custom sizes are available in 1/4-in. increments for a perfect fit.



¹ Pella's proprietary fiberglass material has displayed superior strength over wood, vinyl, aluminum, wood/plastic composites, and other fiberglass materials used by leading national brands in tensile and 3-point bend tests performed in accordance with ASTM D638 and D790 testing standards.

² Some Pella products may not meet ENERGY STAR® guidelines in Canada. For more information, contact your local Pella sales representative or go to energygc.ca.

Pella® Impervia® Fiberglass Windows

Casement Window (Hawaii/Alaska) | PSE Simplified Package

	Optional Upgrades in Grey	≤101 U.I.	>101 U.I.	Costs
FRAME TYPE	<input type="checkbox"/> 3-1/4-in. block frame	-	-	-
	<input type="checkbox"/> 3-1/4-in. block frame with standard fin attachment method	\$56	\$60	
INTERIOR & EXTERIOR FINISH	Solid-color frame <input type="checkbox"/> White	-	-	-
	<input type="checkbox"/> Brown			
	<input type="checkbox"/> Black			
PERFORMANCE (PG 45-50) ¹	Foam-insulated frames offer energy-efficient options that will meet or exceed ENERGY STAR® guidelines in all 50 states. ²	-	-	-
GLASS ³	<input type="checkbox"/> Advanced Low-E insulating dual-pane glass	-	-	-
	<input type="checkbox"/> Tempered glass	\$270	\$288	
	<input type="checkbox"/> SunDefense™ Low-E with argon insulating dual-pane glass	\$70	\$74	
	<input type="checkbox"/> High-altitude glass (where applicable)	\$31	\$31	
GRILLES	No grilles	-	-	-
	3/4" contour color-matched Traditional grilles-between-the-glass	\$137	\$137	
HARDWARE	<input type="checkbox"/> Color-matched Easy-Slide Operator	-	-	-
	<input type="checkbox"/> Color-matched fold-away crank	(\$131)	(\$131)	
	Satin Nickel fold-away crank	\$58	\$58	
SCREEN ⁴	InView™ high transparency full screen	-	-	-

Options Total + Base Price + Installation Price = Grand Total

¹ Performance ratings will vary depending on the size of the unit. Please contact Pella for additional performance information.

² Some Pella products may not meet ENERGY STAR® guidelines in Canada. For more information, contact your local Pella sales representative or go to energystar.gc.ca.

³ Optional high-altitude Low-E insulating glass available with or without argon on select products.

⁴ Warning: Screen will not stop child or pet from falling out of window or door. Keep child or pet away from open window or door.