

Pella® 150 Series Sliding Patio Door

2-PANEL, FACTORY-ASSEMBLED SLIDING PATIO DOOR

Sliding Patio Door (East Region) | PSE Simplified Package

Quality vinyl windows and patio doors, backed by Pella.

Pella® 150 Series vinyl windows and patio doors feature long-lasting, quality vinyl frames.

They are energy efficient and tested for excellent weathering, durability and color retention.



Available at



SLIDING PATIO DOOR PACKAGE:

- Dual-pane Low-E insulating glass
- Fade-resistant vinyl formula for excellent weathering, durability and color retention
- Single-point locking system with an interior thumblock for easy one-hand operation
- Optional cordless white blinds are permanently sealed between the panes of glass, protected from dust and damage
- Fully assembled and ready for easy installation

\$1,404.00

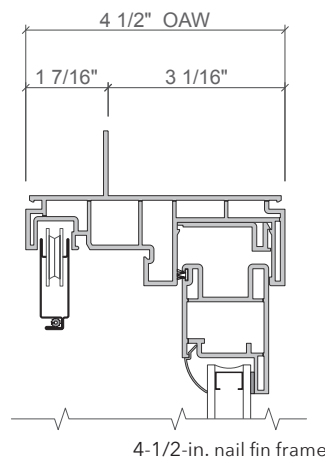
72-in. x 80-in. sliding patio door

FRAME SIZE

	Minimum	Maximum
Width	46.5-in.	95.5-in.
Height	70.5-in.	95.5-in.

FRAME TYPES

- 4-1/2-in nail fin frame can be used in new construction or replacement applications and allows for an easy installation.
- Custom sizes are available in 1/8-in. increments for a precise fit.



Pella® 150 Series Sliding Patio Door

2-PANEL, FACTORY-ASSEMBLED SLIDING PATIO DOOR

Sliding Patio Door (East Region) | PSE Simplified Package

	Optional Upgrades in Gray	72-in. x 80-in.	Costs
FRAME TYPE	4-1/2-in. nail fin frame	-	-
INTERIOR & EXTERIOR FINISH	White solid-color frame	-	-
	Solid-color frame <input type="checkbox"/> Almond <input type="checkbox"/> Fossil	\$26	
PERFORMANCE (R25 - R50)	Performance enhancements for increased energy efficiency	\$286	-
GLASS¹	<input type="checkbox"/> Advanced Low-E insulating dual-pane glass	-	-
	<input type="checkbox"/> NaturalSun Low-E insulating dual-pane glass	-	-
	SunDefense™ Low-E insulating dual-pane glass	\$66	
GRILLES²	No grilles	-	-
	<input type="checkbox"/> 3/4-in. contour color-matched Traditional grilles-between-the-glass	\$40	
HARDWARE	Sliding patio door handle (color-matched)	-	-
	Upgraded finishes <input type="checkbox"/> Satin Nickel <input type="checkbox"/> Oil-Rubbed Bronze <input type="checkbox"/> Bright Brass		
			\$99
BLINDS - BETWEEN -THE -GLASS²	No blinds	-	-
	White	\$459	
SCREEN³	Conventional sliding screen	-	-

Options Total + Base Price + Installation Price = Grand Total

¹ Insulating glass available with or without argon on select products.

² Grilles are not available when blinds-between-the-glass are selected.

³ Warning: Use caution when children or pets are around open windows and doors. Screens are not designed to retain children or pets.