

Pella® 250 Series Vinyl Windows



Available at



PSE EXCLUSIVE

Casement Window (Hawaii/Alaska) | PSE Simplified Package

Strength and security for enhanced peace of mind.

Offering stronger frames than ordinary vinyl¹ and double-strength glass for increased durability and security.



CASEMENT WINDOW PACKAGE:

- ENERGY STAR® options available²
- Foam-insulated sash and frame
- Optional Satin Nickel and Oil-Rubbed Bronze upgraded hardware finishes to complement your project's design
- Double-strength glass
- InView™ high-transparency screen³

\$899.00

up to and including 101 united inches (U.I.)

+ Add \$12.67 per U.I. for each U.I. over 101

Window width + window height = U.I. (always round up).

Example: A 35.25-in. x 71.5-in. window is equivalent to 108

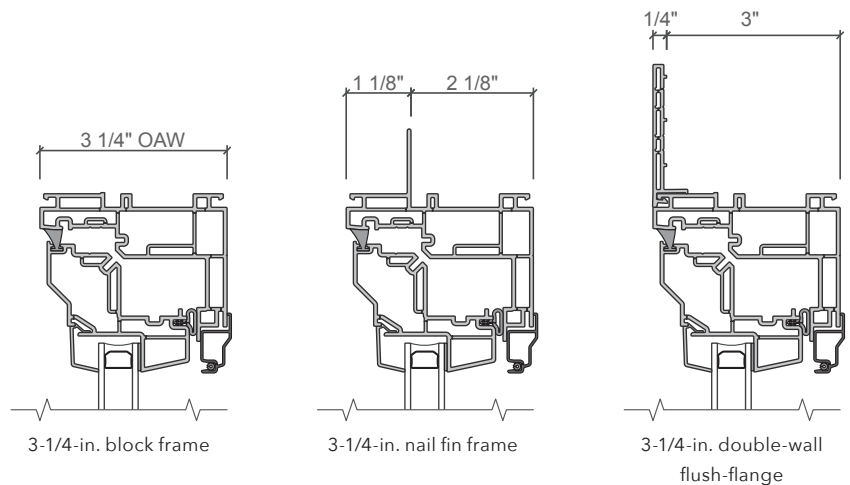
U.I. This is 7 U.I. over 101. \$899.00 + (7 x \$12.67) = \$987.69

FRAME SIZE

	Minimum	Maximum
Width	14.5-in.	35.5-in.
Height	17.5-in.	71.5-in.

FRAME TYPES

- 3-1/4-in. block frame can be used in replacement of old aluminum or steel frame windows or pocket replacement in wood frames. They may also be used in new construction block or concrete walls.
- The block frames include interior and exterior accessory grooves.
- 3-1/4-in. nail fin frame can be used in new construction applications and allow for an easy installation.
- 3-1/4-in. double-wall flush-flange frames are typically used in replacement installation applications, used to install against existing stucco facade, covering the existing window frame and creating a simple method for water management and an aesthetically appealing exterior look.
- Custom sizes are available in 1/8-in. increments for a precise fit.



¹ Based on the force required to bend a window frame profile.

² Some Pella products may not meet ENERGY STAR® certification in Canada. For more information, contact your local Pella sales representative or go to nrcan.gc.ca/energy/products/categories/fenestration/13739.

³ Warning: Screen will not stop child or pet from falling out of window or door. Keep child or pet away from open window or door.

Pella® 250 Series Vinyl Windows

PSE EXCLUSIVE Casement Window (Hawaii/Alaska) | PSE Simplified Package

	Optional Upgrades in Gray	≤101 U.I.	>101 U.I.	Costs
FRAME TYPE	<input type="checkbox"/> 3-1/4-in. block frame	-	-	-
	<input type="checkbox"/> 3-1/4-in. nail fin frame	\$6	\$6	
	<input type="checkbox"/> 3-1/4-in. double-wall flush-flange	\$68	\$68	
INTERIOR & EXTERIOR FINISH	White solid-color frame	-	-	-
	Solid-color frame <input type="checkbox"/> Almond <input type="checkbox"/> Fossil	\$38	\$38	
	Dual-color frame (White interior) <input type="checkbox"/> Brown <input type="checkbox"/> Black	\$425	\$425	
PERFORMANCE (PG 35 – 50) ¹	Structural enhancements for better performance in high-wind regions.	\$99	\$99	
GLASS ² <input type="checkbox"/> High altitude glass (where applicable)	<input type="checkbox"/> Advanced Low-E insulating dual-pane glass	-	-	-
	<input type="checkbox"/> NaturalSun Low-E insulating dual-pane glass	-	-	-
	SunDefense™ Low-E insulating dual-pane glass	\$46	\$61	
	Tempered glass	\$193	\$315	
	Low-E insulating triple-pane glass	\$249	\$406	
GRILLES	No grilles	-	-	-
	3/4-in. contour color-matched Traditional grilles-between-the-glass	\$66	\$66	
HARDWARE	Fold-away crank <input type="checkbox"/> Color-matched to interior <input type="checkbox"/> Satin Nickel <input type="checkbox"/> Oil-Rubbed Bronze	-	-	-
SCREEN ³	Full screen	-	-	-

Options Total + Base Price + Installation Price = Grand Total

¹ Performance ratings will vary depending on the size of the unit. Please contact Pella for additional performance information.

² Optional high-altitude Low-E insulating glass available with or without argon on select products.