

# Pella® Impervia® Fiberglass Windows

Sliding Window (Hawaii/Alaska) | PSE Simplified Package



Available at



Providing unmatched strength and lasting durability<sup>1</sup>



## SLIDING WINDOW PACKAGE:

- 5 solid-color frame choices
- Foam insulation
- ENERGY STAR® options available<sup>2</sup>
- InView™ high transparency half or full fiberglass screen<sup>3</sup>
- Color-matched cam-action sash lock and integrated sash lift

# \$926.00

up to and including 101 united inches (U.I.)

+ Add \$8.19 per U.I. for each U.I. over 101

Window width + window height = U.I. (always round up).

Example: A 35.25-in. x 71.5-in. window is equivalent to 108 U.I.

This is 7 U.I. over 101. \$926.00 + (7 x \$8.19) = \$983.33

## FRAME SIZE

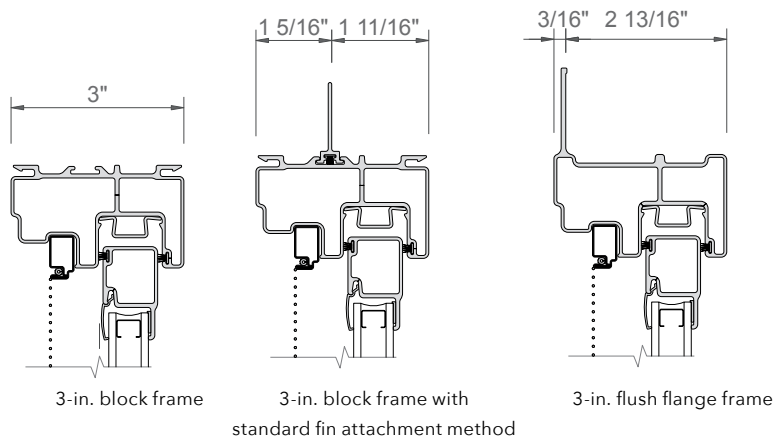
	Minimum	Maximum
Width	23.5-in.	71.5-in.
Height	11.5-in.	71.5-in.

## ADDITIONAL BASE PRICE POINTS

United inches	≤ 60	≤ 70	≤ 80	≤ 90
Base price DH	\$590	\$672	\$754	\$836
U.I. factor DH	\$8.19			

## FRAME TYPE

- 3-in. block frame, 3-in. block frame with nail fin or 3-in. flush flange frame.
- 3-in. block frame with no fin can be used in new construction block or concrete walls. It may also be used in replacement of old aluminum or steel frame windows or pocket replacement into wood frames from the exterior.
- Frames with nail fin can be used in new construction and allow for an easy installation.
- 3-in. flush flange frames are typically used in replacement installation applications, used to install against existing stucco facade, covering the existing window frame and creating a simple method for water management and an aesthetically appealing exterior look.
- Frame includes an interior and exterior accessory groove.
- Custom sizes are available in 1/4-in. increments for a perfect fit.



<sup>1</sup> Pella's proprietary fiberglass material has displayed superior strength over wood, vinyl, aluminum, wood/plastic composites, and other fiberglass materials used by leading national brands in tensile and 3-point bend tests performed in accordance with ASTM D638 and D790 testing standards.

<sup>2</sup> Some Pella products may not meet ENERGY STAR® guidelines in Canada. For more information, contact your local Pella sales representative or go to [energystar.gc.ca](http://energystar.gc.ca).

<sup>3</sup> Warning: Screen will not stop child or pet from falling out of window or door. Keep child or pet away from open window or door.

# Pella® Impervia® Fiberglass Windows

Sliding Window (Hawaii/Alaska) | PSE Simplified Package

		Optional Upgrades in Grey	≤101 U.I.	>101 U.I.	Costs	
<b>FRAME TYPE</b>	<input type="checkbox"/> 3-in. block frame		-	-	-	
	<input type="checkbox"/> 3-in. block frame with standard fin attachment method		\$41	\$58		
	<input type="checkbox"/> 3-in. flush flange frame		\$66	\$95		
<b>INTERIOR &amp; EXTERIOR FINISH</b>	Solid-color frame	<input type="checkbox"/> White				
		<input type="checkbox"/> Tan				
		<input type="checkbox"/> Morning Sky Gray				
	Dual-color frame (White interior)	<input type="checkbox"/> White interior with Tan exterior				
		<input type="checkbox"/> White interior with Morning Sky Gray exterior				
	<input type="checkbox"/> White interior with Brown exterior		\$80	\$80		
	<input type="checkbox"/> White interior with Black exterior					
<b>PERFORMANCE</b> (PG 30-50) <sup>1</sup>	Foam-insulated frames offer energy-efficient options that will meet or exceed ENERGY STAR® guidelines in all 50 states. <sup>2</sup>		-	-	-	
	Structural enhancements for better performance in high-wind regions.		\$39	\$39		
<b>GLASS</b> <sup>3</sup>	<input type="checkbox"/> Advanced Low-E insulating dual-pane glass		-	-	-	
	<input type="checkbox"/> Tempered glass		\$198	\$283		
	<input type="checkbox"/> SunDefense™ Low-E with argon insulating dual-pane glass		\$51	\$73		
	<input type="checkbox"/> High-altitude glass (where applicable)		\$23	\$23		
<b>GRILLES</b>	No grilles		-	-	-	
	3/4" contour color-matched Traditional grilles-between-the-glass		\$101	\$101		
<b>HARDWARE</b>	Color-matched cam-action lock		-	-	-	
	Satin Nickel cam-action lock		\$139	\$139		
<b>SCREEN</b> <sup>4</sup>	<input type="checkbox"/> InView™ high transparency full screen		-	-	-	
	<input type="checkbox"/> InView™ high transparency half screen		-	-	-	

Options Total  + Base Price  + Installation Price  = Grand Total

<sup>1</sup> Performance ratings will vary depending on the size of the unit. Please contact Pella for additional performance information.

<sup>2</sup> Some Pella products may not meet ENERGY STAR® guidelines in Canada. For more information, contact your local Pella sales representative or go to [energystar.gc.ca](http://energystar.gc.ca).

<sup>3</sup> Optional high-altitude Low-E insulating glass available with or without argon on select products.

<sup>4</sup> Warning: Screen will not stop child or pet from falling out of window or door. Keep child or pet away from open window or door.