

# Pella® Lifestyle Series Wood Windows

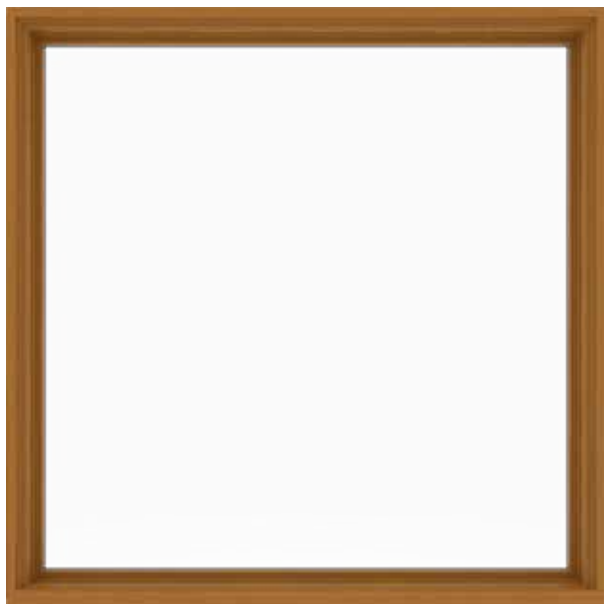
Fixed Casement/Awning Window (East Region) | PSE Simplified Package



Available at



#1 performing wood window for the combination of energy, sound and value.<sup>1</sup>



## FIXED WINDOW PACKAGE:

- ENERGY STAR® options available<sup>2</sup>
- Optional triple-pane glass for improved energy and sound performance
- High-altitude glazing (where applicable) and Low-E insulating glass options
- Low-maintenance EnduraClad® exterior finish and beautiful interior finishes in many color options
- 3-11/16-in. jamb depth with fold-out fins

# \$967.00

up to and including 101 united inches (U.I.)

+ Add \$7.76 per U.I. for each U.I. over 101

Window width + window height = U.I. (always round up).

Example: A 35.25-in. + 72.5-in. window is equivalent to 108 U.I.

This is 7 U.I. over 101. \$967.00 + (7 x \$7.76) = \$1,021.32

## FRAME SIZE

	Minimum	Maximum
Width	17-in.	73-in.
Height	17-in.	73-in.

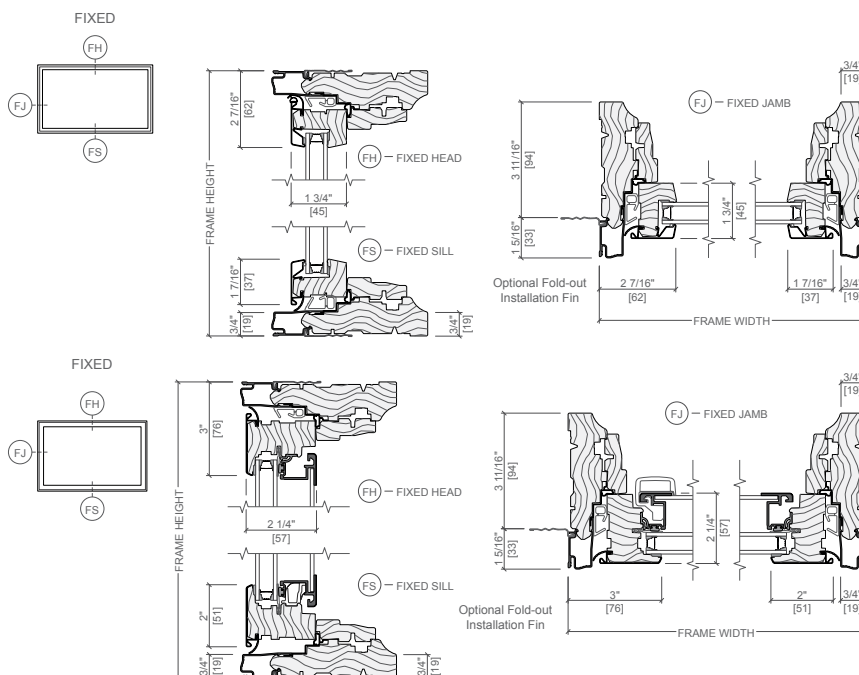
## ADDITIONAL BASE PRICE POINTS

United inches	≤ 60	≤ 70	≤ 80	≤ 90
Base price	\$649	\$726	\$804	\$882
U.I. factor	\$7.76			

Triple-pane with integrated blind upgrades shown

## FRAME TYPE

- 3-11/16-in. base wall depth with fold-out fins can be used in full frame replacement applications.
- The frame includes an exterior accessory groove.
- Frame sizes are available in 1/4-in. increments for a precise fit.
- Jamb extensions available in 1/8-in. increments up to 5-1/2-in. widths for 9-3/16-in. max wall depth.



<sup>1</sup> Performance solutions require upgrade to triple-pane, AdvancedComfort Low-E and mixed glazing thickness glass. Based on comparing product quotes and published STC/OITC and U-Factor ratings of leading national wood window and patio door brands.

<sup>2</sup> Some Pella products may not meet ENERGY STAR® guidelines in Canada. For more information, contact your local Pella sales representative or go to [energystar.gc.ca](http://energystar.gc.ca).

<sup>3</sup> Warning: Screen will not stop child or pet from falling out of window or door. Keep child or pet away from open window or door.

Pella® Lifestyle Series Wood Fixed Casement/Awning Window (East Region) | PSE Simplified Package

		Optional Upgrades in Grey	≤101 U.I.	>101 U.I.	Costs
<b>JAMB EXTENSION</b>	4-9/16-in. jamb extension		\$38	\$44	
<b>PERFORMANCE PACKAGES</b>	Energy Efficiency package (Triple-pane, AdvancedComfort glass)		\$488	\$565	
	Ultimate Performance package (Triple-pane, 5mm/3mm/4mm, AdvancedComfort glass)		\$541	\$627	
<b>EXTERIOR FINISH</b>	<input type="checkbox"/> Black	<input type="checkbox"/> Brown	-	-	-
	<input type="checkbox"/> White	<input type="checkbox"/> Fossil			
	<input type="checkbox"/> Iron Ore	<input type="checkbox"/> Almond	<input type="checkbox"/> Hartford Green		
	<input type="checkbox"/> Portobello	<input type="checkbox"/> Classic White	<input type="checkbox"/> Wolf Gray	\$42	\$42
	<input type="checkbox"/> Putty	<input type="checkbox"/> Brick Red			
<b>INTERIOR FINISH</b>	Factory prefinished painted interior	<input type="checkbox"/> Unfinished <input type="checkbox"/> Primed <input type="checkbox"/> Prefinished White	<input type="checkbox"/> Linen White <input type="checkbox"/> Bright White	-	-
	Factory prefinished stained interior	<input type="checkbox"/> Golden Oak <input type="checkbox"/> Early American	<input type="checkbox"/> Provincial <input type="checkbox"/> Black	\$142	\$142
<b>GLASS</b>	Low-E insulating dual-pane glass		-	-	-
	Tempered glass		\$184	\$215	
	High altitude glass (where applicable)		\$21	\$21	
<b>GRILLES</b>	7/8" Simulated-divided light grilles		\$412	\$617	
	<input type="checkbox"/> 3/4" contour Traditional grilles-between-the-glass		\$133	\$199	
<b>INTEGRATED BLINDS OR SHADES</b> (Triple-pane only)	Integrated blinds	<input type="checkbox"/> White <input type="checkbox"/> Poplar White <input type="checkbox"/> Bisque <input type="checkbox"/> Golden	<input type="checkbox"/> Mocha <input type="checkbox"/> Storm <input type="checkbox"/> Black	\$337	\$337
	Integrated shades	Light-Filtering: <input type="checkbox"/> White <input type="checkbox"/> Maize <input type="checkbox"/> Silver	Room-Darkening: <input type="checkbox"/> Cotton <input type="checkbox"/> Bamboo <input type="checkbox"/> Ash	\$420	\$420

Options Total  + Base Price  + Installation Price  = Grand Total