

Pella® Impervia® Fiberglass Windows

Double-Hung Window | PSE Simplified Package



Available at



Strongest, most durable material in windows and doors.¹



DOUBLE-HUNG WINDOW PACKAGE:

- 5 solid-color frame choices
- Foam insulation
- ENERGY STAR® options available²
- High-altitude glazing (where applicable)
- Half or full fiberglass screen³
- Color-matched cam-action sash lock and integrated sash lift
- 3-in. block frame or 3-in. block frame with nail fin

\$700.00

up to and including 101 united inches (U.I.)

+ Add \$6.52 per U.I. for each U.I. over 101

Window width + window height = U.I. (always round up). Example: A 35.25-in. x 71.5-in. window is equivalent to 108 U.I. This is 7 U.I. over 101. \$700.00 + (7 x \$6.52) = \$745.64

FRAME SIZE

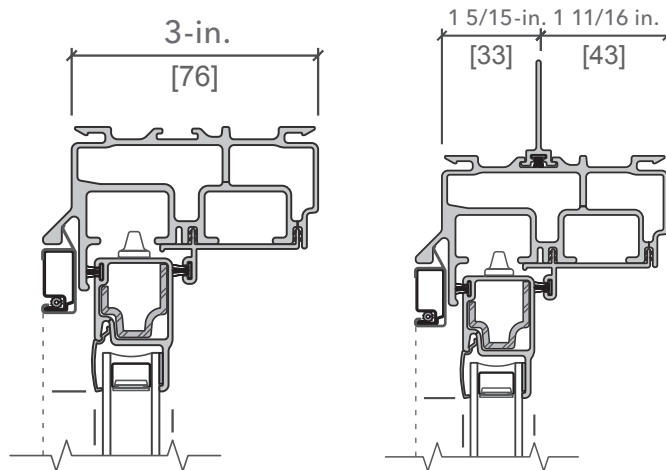
	Minimum	Maximum
Width	17.5-in.	47.5-in.
Height	29.5-in.	77.5-in.

ADDITIONAL BASE PRICE POINTS

United inches	≤ 60	≤ 70	≤ 80	≤ 90
Base price DH	\$432	\$497	\$562	\$627
U.I. factor DH	\$6.52			

FRAME TYPE

- 3-in. Block Frame or 3-in. Block Frame with Nail Fin
- 3-in. block frame with no fin can be used in new construction block or concrete walls. It may also be used in replacement of old aluminum or steel frame windows or pocket replacement into wood frames from the exterior.
- Frames with nail fin can be used in new construction and allow for an easy installation.
- Frame includes an interior and exterior accessory groove.
- Custom sizes are available in 1/4-in. increments for a perfect fit



¹ In testing performed in accordance with ASTM testing standards, our Duracast fiberglass composite has displayed superior performance in strength, ability to withstand extreme heat and cold, and resistance to dents and scratches.

² Some Pella products may not meet ENERGY STAR® guidelines in Canada. For more information, contact your local Pella sales representative or go to energystar.gc.ca.

³ Warning: Screen will not stop child or pet from falling out of window or door. Keep child or pet away from open window or door.

Pella® Impervia® Fiberglass Windows

Double-Hung Window | PSE Simplified Package

		Optional Upgrades in Grey	≤101 U.I.	>101 U.I.	Costs	
FRAME TYPE	<input type="checkbox"/> 3 in. block frame		-	-	-	
	<input type="checkbox"/> 3 in. block frame with nail fin					
INTERIOR & EXTERIOR FINISH	Solid-color frame	<input type="checkbox"/> White				
		<input type="checkbox"/> Tan				
		<input type="checkbox"/> Morning Sky Gray				
	Dual-color frame (White interior)	<input type="checkbox"/> White interior with Tan exterior				
		<input type="checkbox"/> White interior with Morning Sky Gray exterior				
	<input type="checkbox"/> White interior with Brown exterior		\$55	\$55		
	<input type="checkbox"/> White interior with Black exterior					
PERFORMANCE (PG 30 - 50)¹	Foam-insulated frames offer energy-efficient options that will meet or exceed ENERGY STAR® guidelines in all 50 states. ²		-	-	-	
	Structural enhancements for better performance in high-wind regions.		\$28	\$28		
GLASS³	<input type="checkbox"/> Advanced Low-E insulating dual-pane glass					
	<input type="checkbox"/> NaturalSun Low-E insulating dual-pane glass					
	<input type="checkbox"/> High altitude glass (where applicable)					
	<input type="checkbox"/> Tempered glass		\$103	\$134		
	<input type="checkbox"/> SunDefense™ Low-E insulating dual-pane glass		\$36	\$47		
GRILLES	No grilles		-	-		
	3/4" contour color-matched Traditional grilles-between-the-glass		\$70	\$70		
HARDWARE	Color-matched cam-action lock		-	-		
	Cam-action lock	<input type="checkbox"/> Satin Nickel				
		<input type="checkbox"/> Oil-Rubbed Bronze	\$97	\$97		
SCREEN⁴	<input type="checkbox"/> Half screen					
	<input type="checkbox"/> Full screen					

Options Total + Base Price + Installation Price = Grand Total

¹ Performance ratings will vary depending on the size of the unit. Please contact Pella for additional performance information

² Some Pella products may not meet ENERGY STAR® guidelines in Canada. For more information, contact your local Pella sales representative or go to energystar.gc.ca.

³ Optional high-altitude Low-E insulating glass available with or without argon on select products. NaturalSun Low-E insulating glass added in climates where necessary to meet ENERGY STAR® requirements.

⁴ Warning: Screen will not stop child or pet from falling out of window or door. Keep child or pet away from open window or door.