

# Pella® Lifestyle Series Wood Windows

Double-Hung Window | PSE Simplified Package



Available at



Wood windows designed to deliver solutions for real life.



## DOUBLE-HUNG WINDOW PACKAGE:

- ENERGY STAR® options available<sup>1</sup>
- Dual pane design with Low-E insulating glass
- Low-maintenance EnduraClad® exterior finish in 10 color options
- Unfinished, painted or factory-primed interior
- Premium InView™ full fiberglass screen<sup>2</sup>
- Annealed glass
- 3-11/16" jamb depth with fold-out fins

## \$827.00

up to and including 101 united inches (U.I.)

**+ Add \$6.72 per U.I. for each U.I. over 101**

Window width + window height = U.I. (always round up). Example: A 35.25-in. x 72.5-in. window is equivalent to 108 U.I. This is 7 U.I. over 101.  $\$827 + (7 \times \$6.72) = \$874.04$

## ADDITIONAL BASE PRICE POINTS

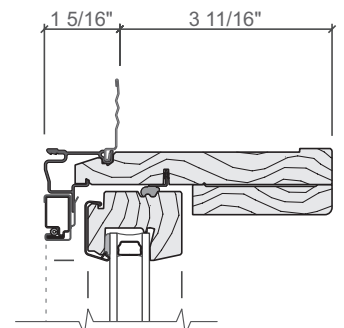
United inches	≤ 60	≤ 70	≤ 80	≤ 90
Base price	\$528	\$597	\$663	\$758
U.I. factor	\$6.72			

## FRAME SIZE

	Minimum	Maximum
Width	21-in.	41.5-in.
Height	35-in.	77-in.

## FRAME TYPE

- 3-11/16" base wall depth with fold-out fins can be used in full frame replacement applications.
- The frame includes an exterior accessory groove.
- Frame sizes are available in 1/4" increments for a precise fit.
- Jamb extensions available in 1/8" increments up to 5-1/2" widths for 9-3/16" max wall depth.



<sup>1</sup> Some Pella products may not meet ENERGY STAR® guidelines in Canada. For more information, contact your local Pella sales representative or go to [energystar.gc.ca](http://energystar.gc.ca).

<sup>2</sup> Warning: Screen will not stop child or pet from falling out of window or door. Keep child or pet away from open window or door.

Pella® Lifestyle Series Wood Double-Hung Window | PSE Simplified Package

		Optional Upgrades in Grey	≤101 U.I.	>101 U.I.	Costs
<b>4-9/16" JAMB EXTENSION</b>			\$32	\$38	
<b>EXTERIOR FINISH</b>	<input type="checkbox"/> White	<input type="checkbox"/> Brown	<input type="checkbox"/> Brick Red		
	<input type="checkbox"/> Poplar White	<input type="checkbox"/> Portobello	<input type="checkbox"/> Black	-	-
	<input type="checkbox"/> Tan	<input type="checkbox"/> Hartford Green			
	<input type="checkbox"/> Putty	<input type="checkbox"/> Morning Sky Gray			
<b>INTERIOR FINISH</b>	Factory prefinished painted interior	<input type="checkbox"/> Primed	<input type="checkbox"/> Bright White	-	-
		<input type="checkbox"/> White	<input type="checkbox"/> Linen White		
	Factory prefinished stained interior	<input type="checkbox"/> Natural	<input type="checkbox"/> Prinvicial	\$130	\$130
		<input type="checkbox"/> Golden Oak	<input type="checkbox"/> Red Mahogany		
	<input type="checkbox"/> Early American	<input type="checkbox"/> Black			
	<input type="checkbox"/> Dark Mahogany				
<b>GLASS</b>	<input type="checkbox"/> Low-E insulating dual-pane glass		-	-	-
	<input type="checkbox"/> High altitude glass (where applicable)				
	Tempered glass		\$116	\$132	
<b>GRILLES</b>	No grilles		-	-	-
	3/4" contour Traditional grilles-between-the-glass		\$149	\$220	
<b>HARDWARE</b>	<input type="checkbox"/> Champagne	<input type="checkbox"/> Brown	-	-	-
	<input type="checkbox"/> White	<input type="checkbox"/> Matte Black			
	<input type="checkbox"/> Satin Nickel	<input type="checkbox"/> Oil-Rubbed Bronze	\$216	\$216	
<b>INTEGRATED SECURITY SENSOR</b>			\$105	\$105	

Options Total  + Base Price  + Installation Price  = Grand Total