

# Pella® 250 Series Vinyl Windows



Available at



**PSE EXCLUSIVE**

Single-Hung Window (East Region) | PSE Simplified Package

## Strength and security for enhanced peace of mind.

Offering stronger frames than ordinary vinyl<sup>1</sup> and double-strength glass for increased durability and security.



### SINGLE-HUNG WINDOW PACKAGE:

- ENERGY STAR® options available<sup>2</sup>
- Foam-insulated sash and frame
- Weather-repel system with triple weatherstripping
- Exclusive Comfort Lock sash lock design and Home Comfort metal tilt latches
- Double-strength glass
- InView™ high-transparency screen<sup>3</sup>

## \$540.00

up to and including 101 united inches (U.I.)

**+ Add \$8.70 per U.I. for each U.I. over 101**

Window width + window height = U.I. (always round up).

Example: A 35.25-in. x 71.5-in. window is equivalent to 108 U.I. This is 7 U.I. over 101. \$540.00 + (7 x \$8.70) = \$600.90

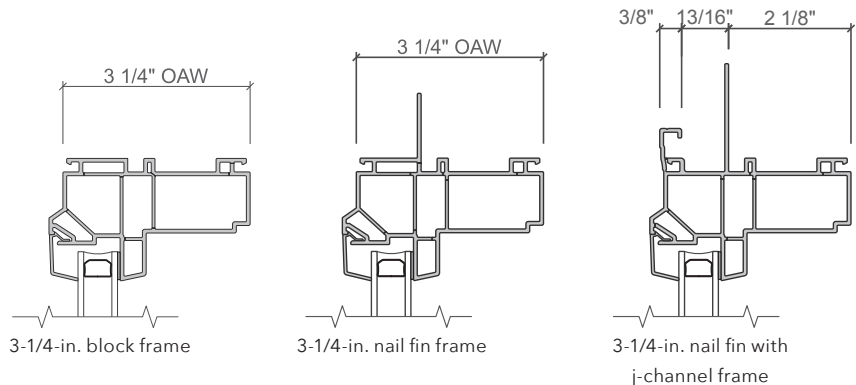
### FRAME SIZE

	Minimum	Maximum
<b>Width</b>	14.5-in.	53.5-in.
<b>Height</b>	23.5-in.	77.5-in.

Note: 53.5-in. max width only available with 66-in. max height

### FRAME TYPES

- 3-1/4-in. block frame can be used in replacement of old aluminum or steel frame windows or pocket replacement in wood frames. They may also be used in new construction block or concrete walls.
- The block frames include interior and exterior accessory grooves.
- 3-1/4-in. nail fin frame can be used in new construction applications and allow for an easy installation.
- Custom sizes are available in 1/8-in. increments for a precise fit.



<sup>1</sup> Based on the force required to to bend a window frame profile.

<sup>2</sup> Some Pella products may not meet ENERGY STAR® certification in Canada. For more information, contact your local Pella sales representative or go to [nrcan.gc.ca/energy/products/categories/fenestration/13739](http://nrcan.gc.ca/energy/products/categories/fenestration/13739).

<sup>3</sup> Warning: Screen will not stop child or pet from falling out of window or door. Keep child or pet away from open window or door.

# Pella® 250 Series Vinyl Windows

**PSE EXCLUSIVE** Single-Hung Window (East Region) | PSE Simplified Package

	Optional Upgrades in Gray	≤101 U.I.	>101 U.I.	Costs
<b>FRAME TYPE</b>	3-1/4-in. block frame	-	-	-
	<input type="checkbox"/> 3-1/4-in. nail fin frame	\$4	\$4	
	<input type="checkbox"/> 3-1/4-in. nail fin with j-channel frame			
<b>INTERIOR &amp; EXTERIOR FINISH</b>	White solid-color frame	-	-	-
	Solid-color frame <input type="checkbox"/> Almond <input type="checkbox"/> Fossil	\$26	\$26	
	Dual-color frame (White interior) <input type="checkbox"/> Brown <input type="checkbox"/> Black	\$292	\$292	
<b>PERFORMANCE (PG 35 - 50)<sup>1</sup></b>	Exclusive weather-repel system channels water away from the home with three points of protection – including triple weatherstripping.	-	-	-
	Structural enhancements for better performance in high-wind regions.	\$68	\$68	
<b>GLASS<sup>2</sup></b>	<input type="checkbox"/> SunDefense™ Low-E insulating dual-pane glass			
	<input type="checkbox"/> Advanced Low-E insulating dual-pane glass	-	-	-
	<input type="checkbox"/> NaturalSun Low-E insulating dual-pane glass			
	Tempered glass	\$133	\$216	
	Low-E insulating triple-pane glass	\$171	\$279	
<b>GRILLES</b>	No grilles	-	-	-
	3/4-in. contour color-matched Traditional grilles-between-the-glass	\$46	\$46	
<b>HARDWARE</b>	Cam-action lock (color-matched to interior)	-	-	-
	Comfort Lock	-	-	
	<input type="checkbox"/> Color-matched to interior			
	<input type="checkbox"/> Oil-rubbed Bronze			
	<input type="checkbox"/> Satin Nickel			
<b>SCREEN<sup>3</sup></b>	Half screen	-	-	-

Options Total  + Base Price  + Installation Price  = Grand Total

<sup>1</sup> Performance ratings will vary depending on the size of the unit. Please contact Pella for additional performance information.

<sup>2</sup> Optional high-altitude Low-E insulating glass available with or without argon on select products.

<sup>3</sup> Warning: Screen will not stop child or pet from falling out of window or door. Keep child or pet away from open window or door.