

Pella® 250 Series Vinyl Windows

PSE EXCLUSIVE Double-Hung Window (West Region) | PSE Simplified Package



Available at



Strength and security for enhanced peace of mind.

Offering stronger frames than ordinary vinyl¹ and double-strength glass for increased durability and security.



DOUBLE-HUNG WINDOW PACKAGE:

- ENERGY STAR® options available²
- Foam-insulated sash and frame
- Weather-repel system with triple weatherstripping
- Exclusive Comfort Lock sash lock design and Home Comfort metal tilt latches
- Double-strength glass
- InView™ high-transparency screen³

\$572.00

up to and including 101 united inches (U.I.)

+ Add \$8.14 per U.I. for each U.I. over 101

Window width + window height = U.I. (always round up).

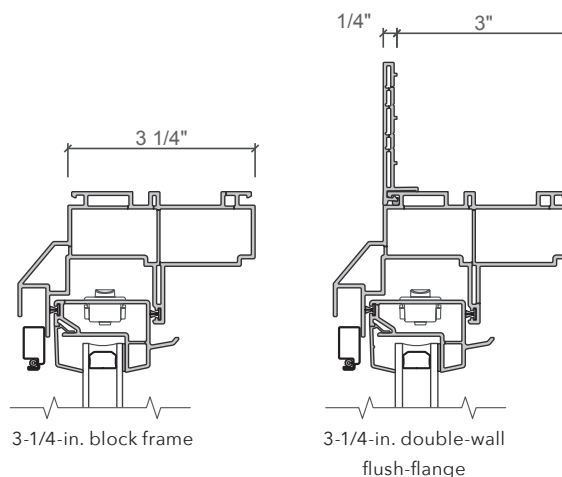
Example: A 35.25-in. x 71.5-in. window is equivalent to 108 U.I. This is 7 U.I. over 101. \$572.00 + (7 x \$8.14) = \$628.98

FRAME SIZE

	Minimum	Maximum
Width	14.5-in.	53.5-in.
Height	23.5-in.	78-in.

FRAME TYPES

- 3-1/4-in. block frame can be used in replacement of old aluminum or steel frame windows or pocket replacement in wood frames. They may also be used in new construction block or concrete walls.
- The block frames include interior and exterior accessory grooves.
- 3-1/4-in double-wall flush-flange frames are typically used in replacement installation applications, used to install against existing stucco facade, covering the existing window frame and creating a simple method for water management and an aesthetically appealing exterior look.
- Custom sizes are available in 1/8-in. increments for a precise fit.



¹ Based on the force required to to bend a window frame profile.

² Some Pella products may not meet ENERGY STAR® certification in Canada. For more information, contact your local Pella sales representative or go to nrcan.gc.ca/energy/products/categories/fenestration/13739.

³ Warning: Screen will not stop child or pet from falling out of window or door. Keep child or pet away from open window or door.

Pella® 250 Series Vinyl Windows

PSE EXCLUSIVE Double-Hung Window (West Region) | PSE Simplified Package

	Optional Upgrades in Gray	≤101 U.I.	>101 U.I.	Costs
FRAME TYPE	<input type="checkbox"/> 3-1/4-in. block frame	-	-	-
	<input type="checkbox"/> 3-1/4-in. double-wall flush-flange frame	\$108	\$108	
INTERIOR & EXTERIOR FINISH	White solid-color frame	-	-	-
	Solid-color frame <input type="checkbox"/> Almond <input type="checkbox"/> Fossil	\$25	\$25	
	Dual-color frame (White interior) <input type="checkbox"/> Brown <input type="checkbox"/> Black	\$273	\$273	
PERFORMANCE (PG 20 - 50)¹	Exclusive weather-repel system channels water away from the home with three points of protection – including triple weatherstripping.	-	-	-
	Structural enhancements for better performance in high-wind regions.	\$64	\$64	
GLASS²	<input type="checkbox"/> SunDefense™ Low-E insulating dual-pane glass	-	-	-
	<input type="checkbox"/> Advanced Low-E insulating dual-pane glass	-	-	-
	<input type="checkbox"/> NaturalSun Low-E insulating dual-pane glass	-	-	-
	<input type="checkbox"/> High-altitude glass (where applicable)	-	-	-
	Tempered glass	\$124	\$202	
	Low-E insulating triple-pane glass	\$160	\$261	
GRILLES	No grilles	-	-	-
	3/4-in. contour color-matched Traditional grilles-between-the-glass	\$43	\$43	
HARDWARE	Cam-action lock (color-matched to interior)	-	-	-
	Comfort Lock	-	-	-
	<input type="checkbox"/> Color-matched to interior	-	-	-
	<input type="checkbox"/> Oil-rubbed Bronze <input type="checkbox"/> Satin Nickel	-	-	-
SCREEN³	<input type="checkbox"/> Half screen	-	-	-
	<input type="checkbox"/> Full screen	-	-	-

Options Total + Base Price + Installation Price = Grand Total

¹ Performance ratings will vary depending on the size of the unit. Please contact Pella for additional performance information.

² Optional high-altitude Low-E insulating glass available with or without argon on select products.

³ Warning: Screen will not stop child or pet from falling out of window or door. Keep child or pet away from open window or door.